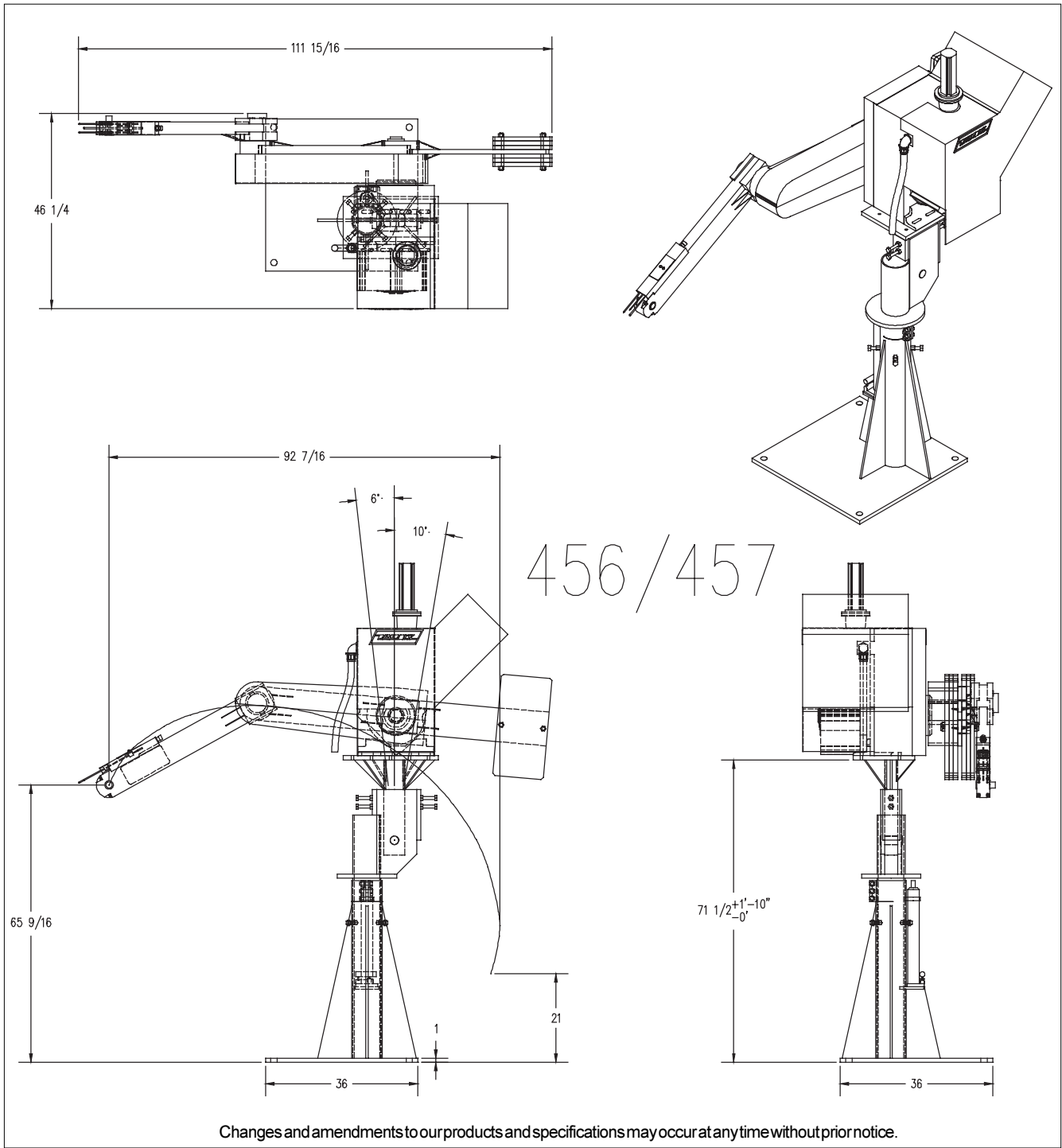


457 Servo Drive Ladler

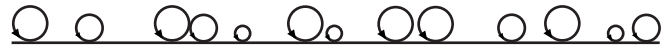
- Safety
- Accuracy
- Consistency
- Quality
- Speed
- Durability



Reducing Industry's Production Cost



Inconsistent castings produced without the use of automation equipment.



Use automation equipment and your castings will be the same every time.



Diameter = Cycle Times

Model 457 Servo Drive Ladler

® a registered trademark of:
Rimrock Corporation

1700 Jetway Blvd
Columbus, Ohio 43219 USA

Phone: 614-471-5926
FAX: 614-471-7388